

20 Frame Size: 20mm



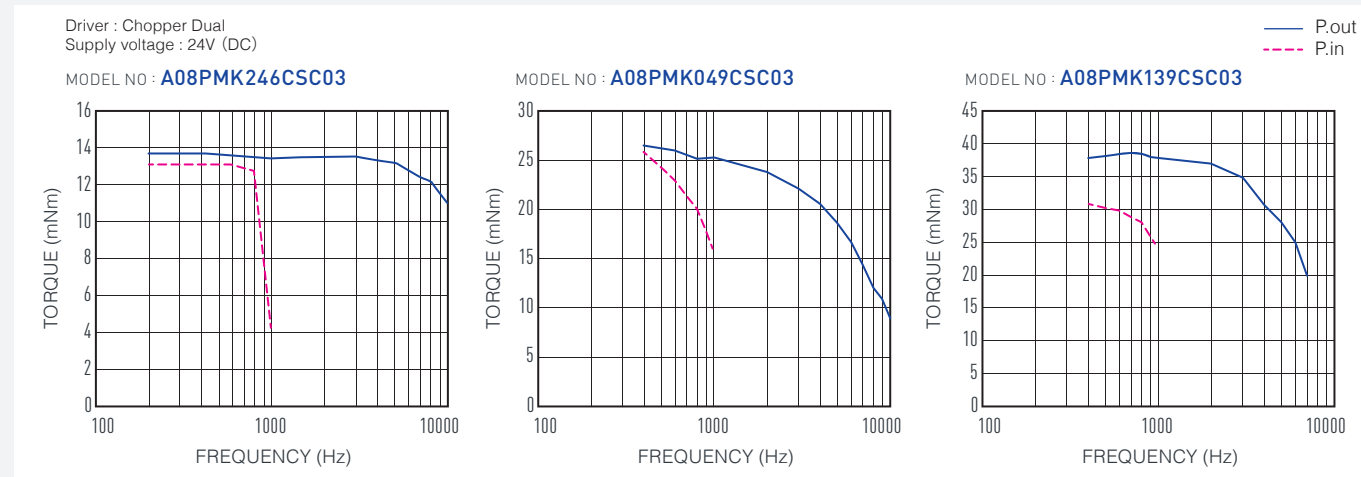
MOTOR TYPE
A08PM TYPE

Specifications

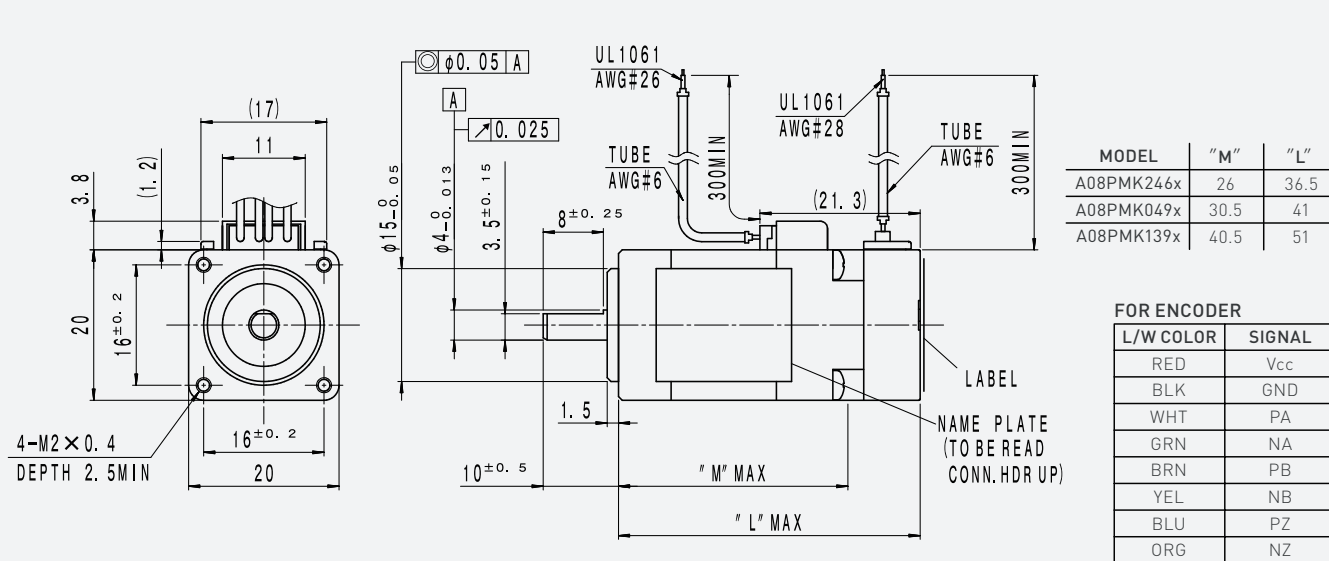
Motor Type	Motor Size (mm)	Step Angle (deg)	Drive Sequence	Rated Current (A/phase)	Winding Resistance (ohms)	Holding Torque (mNm)	Inductance (mH)	Rotor Inertia (g·cm ²)	Detent Torque (mNm)	Mass (g)	Encoder Resolution (CPR)
A08PMK246CSC03	20x36.5	1.8	BI-POLAR	0.5	5.6	15	2.0	0.9	1	40	1,600
A08PMK049CSC03	20x41	1.8	BI-POLAR	0.5	8.5	20	3.8	1.6	2	60	1,600
A08PMK139CSC03	20x51	1.8	BI-POLAR	0.6	6.5	36	3.2	2.9	3	80	1,600

※300mm Cable included (For Motor and Encoder). It is not compatible with shield. If you need shielded cable, please prepare it by yourself.

Torque Characteristics



Dimensions



□ These characteristics and others mentioned in this brochure are for reference purposes only.
□ For improvement, those characteristics and specifications mentioned in this brochure are subject to change without prior notice.

25 Frame Size: 25mm



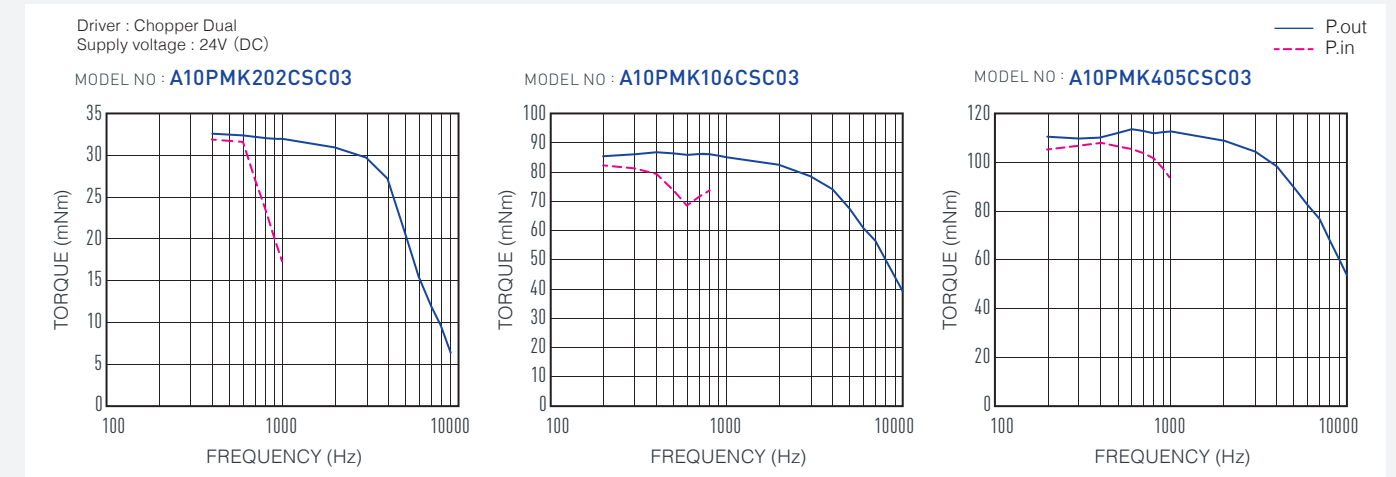
MOTOR TYPE
A10PM TYPE

Specifications

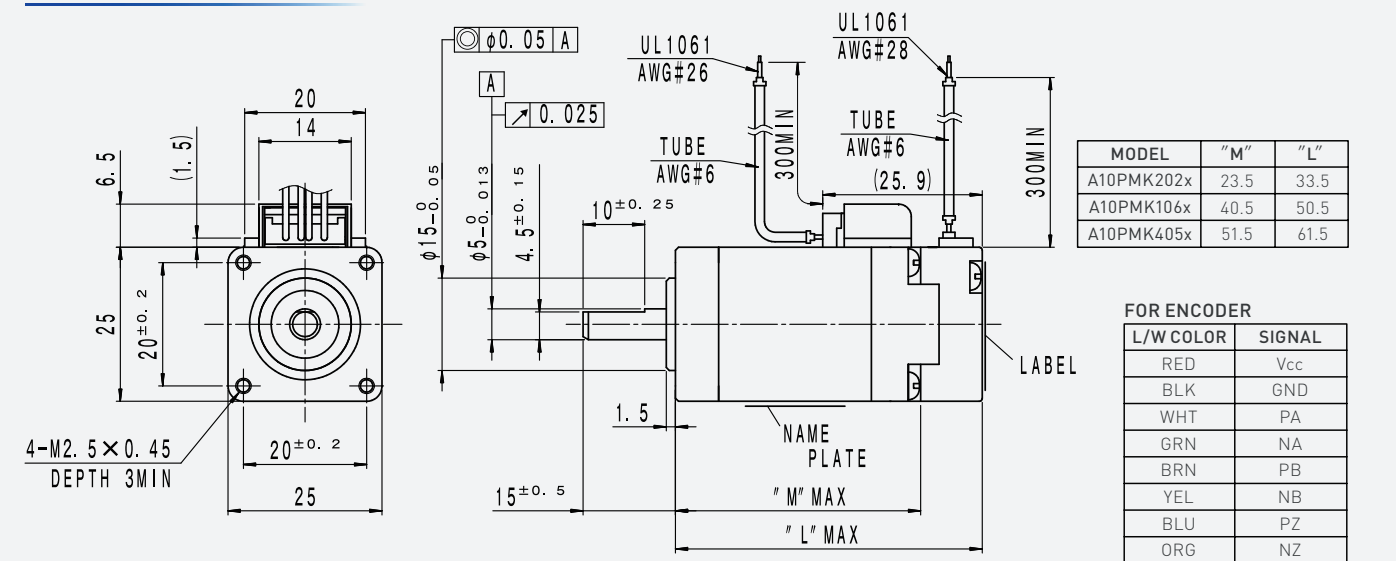
Motor Type	Motor Size (mm)	Step Angle (deg)	Drive Sequence	Rated Current (A/phase)	Winding Resistance (ohms)	Holding Torque (mNm)	Inductance (mH)	Rotor Inertia (g·cm ²)	Detent Torque (mNm)	Mass (g)	Encoder Resolution (CPR)
A10PMK202CSC03	25x33.5	1.8	BI-POLAR	0.7	3.8	33	2.0	2	2	65	2,400
A10PMK106CSC03	25x50.5	1.8	BI-POLAR	1.0	3.0	85	2.5	8	4	120	2,400
A10PMK405CSC03	25x61.5	1.8	BI-POLAR	1.5	1.6	120	1.6	12	5	160	2,400

※300mm Cable included (For Motor and Encoder). It is not compatible with shield. If you need shielded cable, please prepare it by yourself.

Torque Characteristics

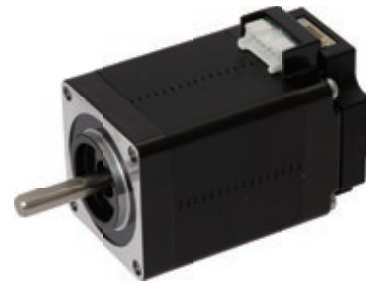


Dimensions



□ These characteristics and others mentioned in this brochure are for reference purposes only.
□ For improvement, those characteristics and specifications mentioned in this brochure are subject to change without prior notice.

□ 35 Frame Size: 35mm



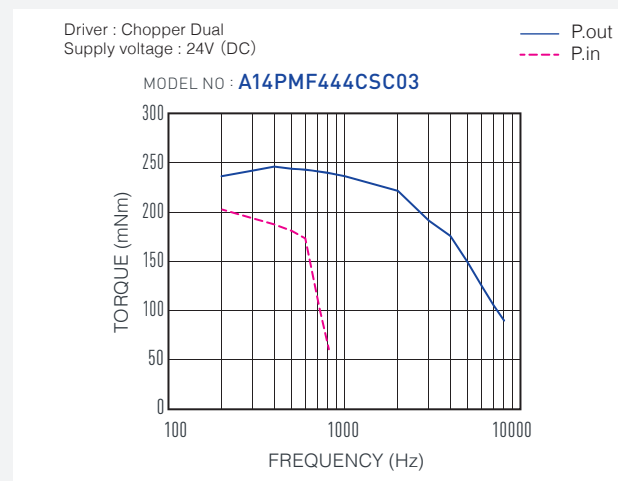
MOTOR TYPE
A14PM TYPE

Specifications

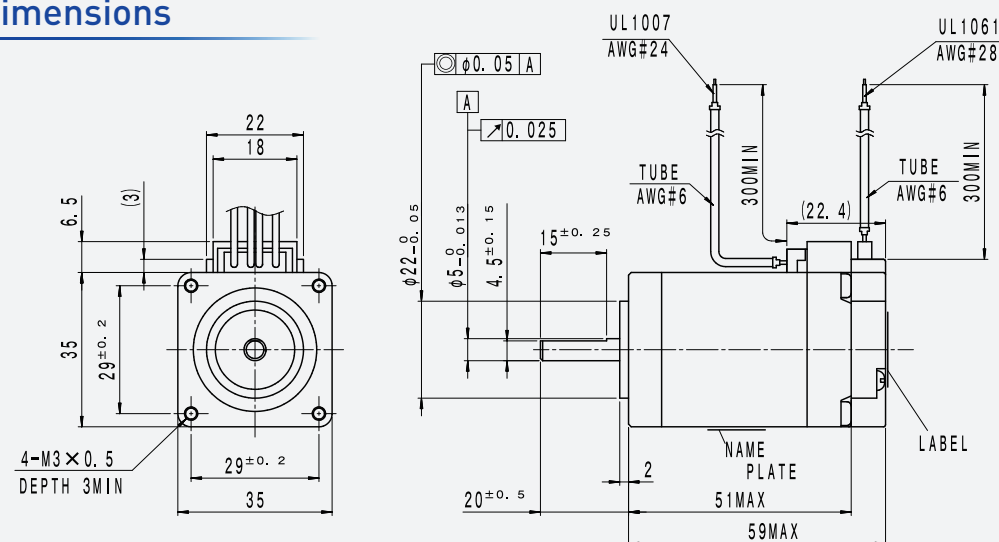
Motor Type	Motor Size (mm)	Step Angle (deg)	Drive Sequence	Rated Current (A/phase)	Winding Resistance (ohms)	Holding Torque (mNm)	Inductance (mH)	Rotor Inertia (g·cm ²)	Detent Torque (mNm)	Mass (g)	Encoder Resolution (CPR)
A14PMF444CSC03	□35x59	1.8	BI-POLAR	1.5	1.8	250	2.2	40	11	300	3,200

※300mm Cable included (For Motor and Encoder). It is not compatible with shield. If you need shielded cable, please prepare it by yourself.

Torque Characteristics



Dimensions

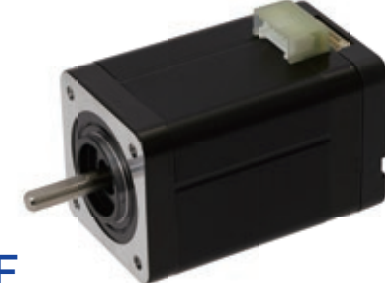


FOR ENCODER

L/W COLOR	SIGNAL
RED	Vcc
BLK	GND
WHT	PA
GRN	NA
BRN	PB
YEL	NB
BLU	PZ
ORG	NZ

□ These characteristics and others mentioned in this brochure are for reference purposes only.
□ For improvement, those characteristics and specifications mentioned in this brochure are subject to change without prior notice.

□ 42 Frame Size: 42mm



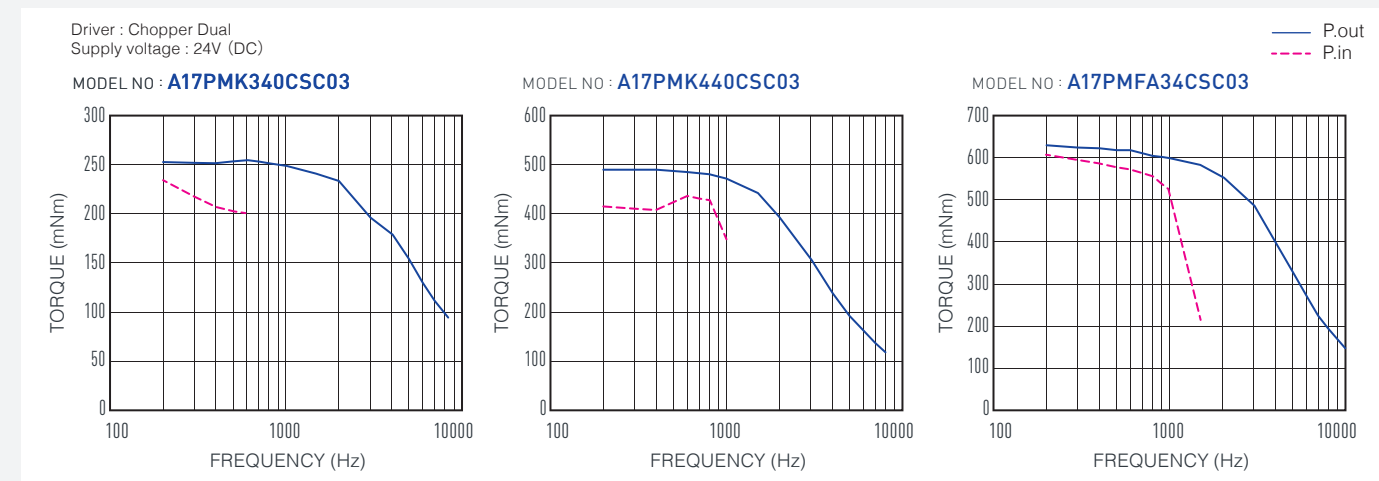
MOTOR TYPE
A17PM TYPE

Specifications

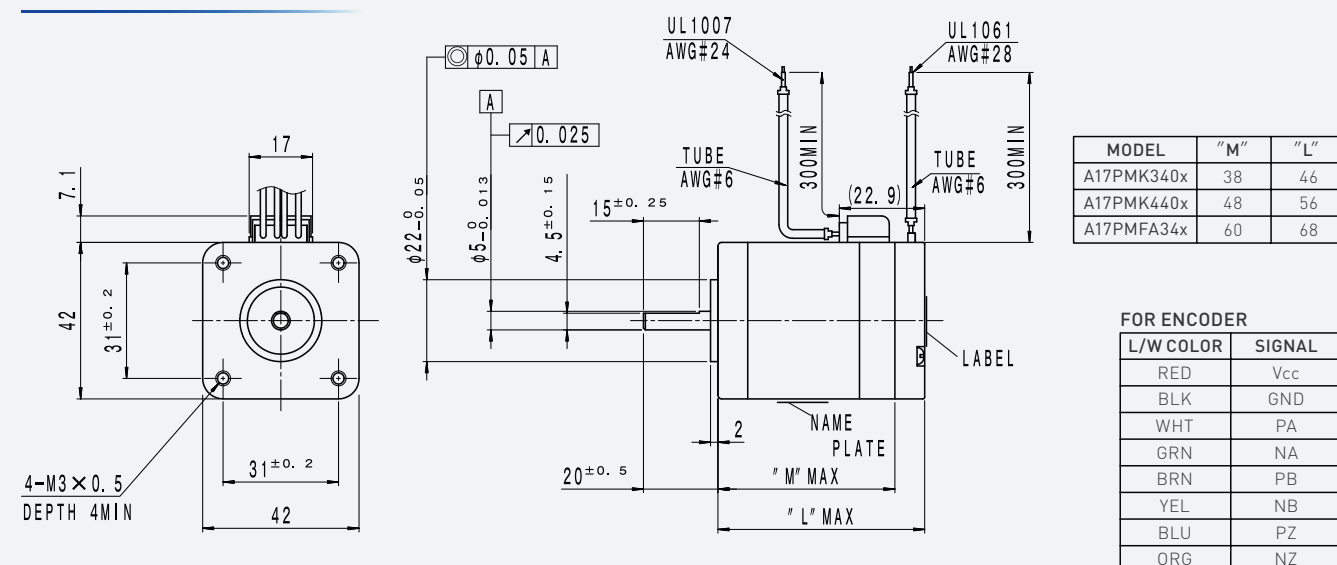
Motor Type	Motor Size (mm)	Step Angle (deg)	Drive Sequence	Rated Current (A/phase)	Winding Resistance (ohms)	Holding Torque (mNm)	Inductance (mH)	Rotor Inertia (g·cm ²)	Detent Torque (mNm)	Mass (g)	Encoder Resolution (CPR)
A17PMK340CSC03	□42x46	1.8	BI-POLAR	2.0	0.9	290	2.0	50	11	300	4,000
A17PMK440CSC03	□42x56	1.8	BI-POLAR	2.0	1.2	510	2.6	75	17	400	4,000
A17PMFA34CSC03	□42x68	1.8	BI-POLAR	2.6	1.0	690	1.5	162	30	560	4,000

※300mm Cable included (For Motor and Encoder). It is not compatible with shield. If you need shielded cable, please prepare it by yourself.

Torque Characteristics



Dimensions



MODEL	"M"	"L"
A17PMK340x	38	46
A17PMK440x	48	56
A17PMFA34x	60	68

FOR ENCODER

L/W COLOR	SIGNAL
RED	Vcc
BLK	GND
WHT	PA
GRN	NA
BRN	PB
YEL	NB
BLU	PZ
ORG	NZ

□ These characteristics and others mentioned in this brochure are for reference purposes only.
□ For improvement, those characteristics and specifications mentioned in this brochure are subject to change without prior notice.

56 Frame Size: 56mm



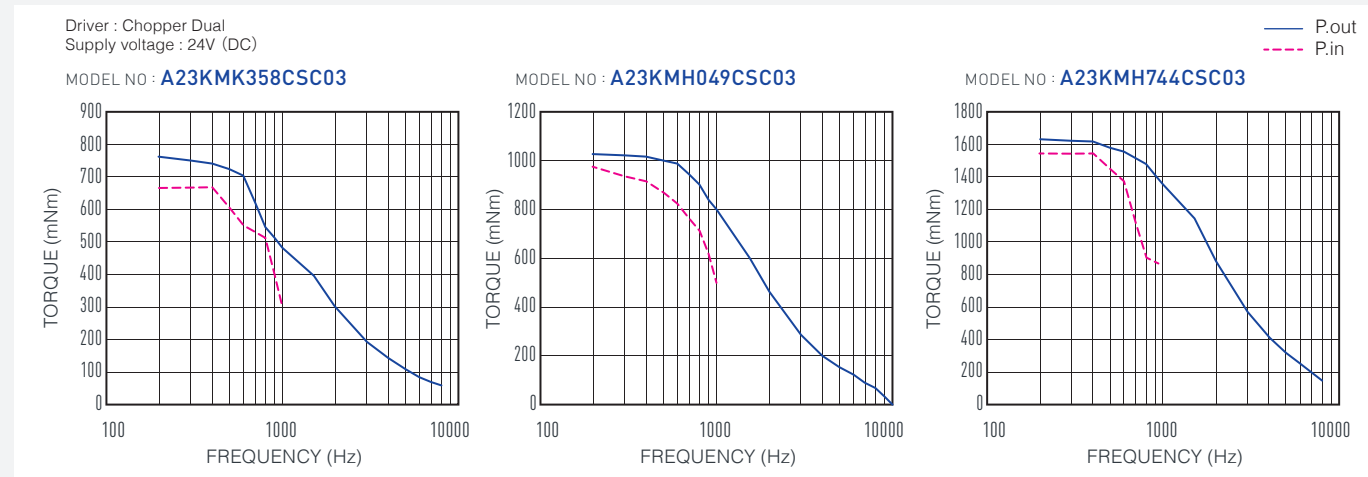
MOTOR TYPE
A23KM TYPE

Specifications

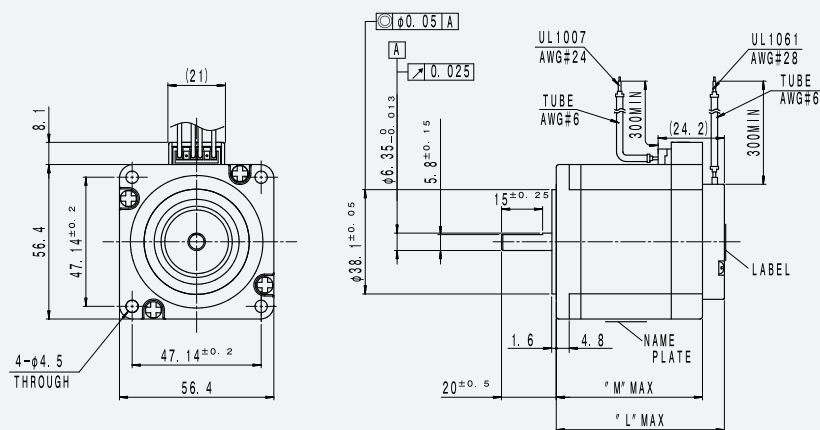
Motor Type	Motor Size (mm)	Step Angle (deg)	Drive Sequence	Rated Current (A/phase)	Winding Resistance (ohms)	Holding Torque (mNm)	Inductance (mH)	Rotor Inertia (g·cm ²)	Detent Torque (mNm)	Mass (g)	Encoder Resolution (CPR)
A23KMK358CSC03	56x58	1.8	BI-POLAR	1.7	1.9	800	7.8	180	29	620	4,000
A23KMH049CSC03	56x63	1.8	BI-POLAR	3.0	0.9	1330	3.7	320	54	710	4,000
A23KMH744CSC03	56x85	1.8	BI-POLAR	3.0	0.7	1800	2.8	490	93	1150	4,000

※300mm Cable included (For Motor and Encoder). It is not compatible with shield. If you need shielded cable, please prepare it by yourself.

Torque Characteristics



Dimensions



MODEL	"M"	"L"
A23KMK358x	50	58
A23KMH049x	55	63
A23KMH744x	77	85

FOR ENCODER

L/W COLOR	SIGNAL
RED	Vcc
BLK	GND
WHT	PA
GRN	NA
BRN	PB
YEL	NB
BLU	PZ
ORG	NZ

□ These characteristics and others mentioned in this brochure are for reference purposes only.
□ For improvement, those characteristics and specifications mentioned in this brochure are subject to change without prior notice.

85 Frame Size: 85mm



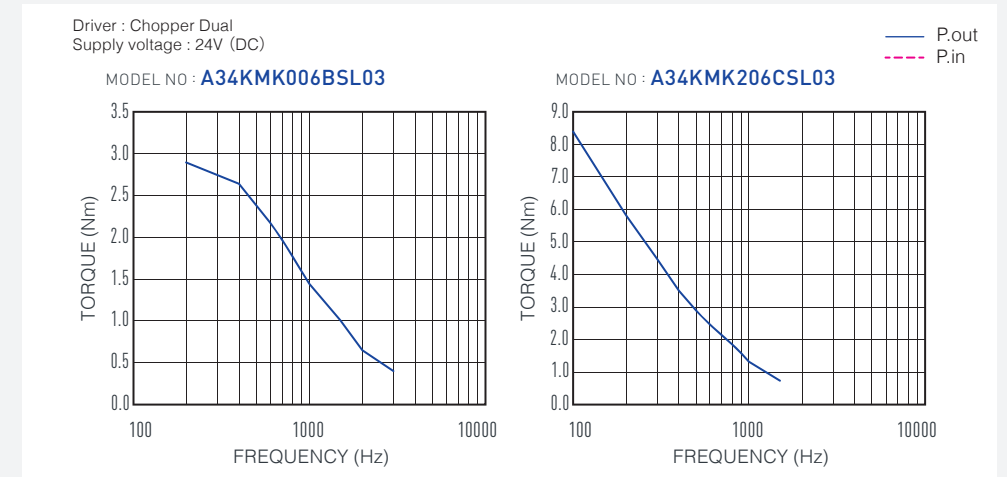
MOTOR TYPE
A34KM TYPE

Specifications

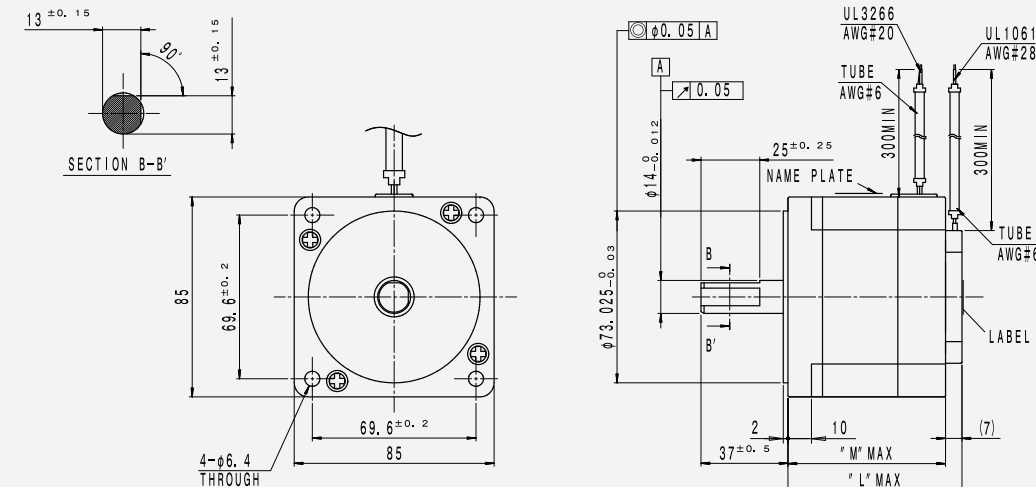
Motor Type	Motor Size (mm)	Step Angle (deg)	Drive Sequence	Rated Current (A/phase)	Winding Resistance (ohms)	Holding Torque (mNm)	Inductance (mH)	Rotor Inertia (g·cm ²)	Detent Torque (mNm)	Mass (g)	Encoder Resolution (CPR)
A34KMK006BSL03	85x75	1.8	BI-POLAR	3.4	1.0	3100	6.0	1200	130	1850	4,000
A34KMK206CSL03	85x131	1.8	BI-POLAR	5.0	0.5	6800	4.7	3700	300	4050	4,000

※300mm Cable included (For Motor and Encoder). It is not compatible with shield. If you need shielded cable, please prepare it by yourself.

Torque Characteristics



Dimensions



MODEL	"M"	"L"
A34KMK006x	68	75
A34KMK206x	124	131

FOR ENCODER

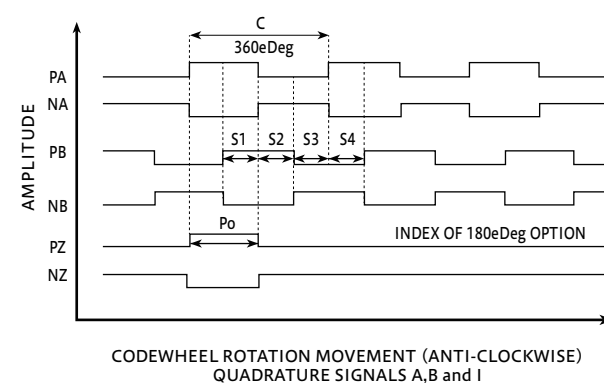
L/W COLOR	SIGNAL
RED	Vcc
BLK	GND
WHT	PA
GRN	NA
BRN	PB
YEL	NB
BLU	PZ
ORG	NZ

□ These characteristics and others mentioned in this brochure are for reference purposes only.
□ For improvement, those characteristics and specifications mentioned in this brochure are subject to change without prior notice.

ENCODER CHARACTERISTICS

ITEM	SPECIFICATIONS			
	A08PM	A10PM	A14PM	A17PM/A23KM/A34KM
ENCODER TYPE	INCREMENTAL			
DETECTION METHOD	REFLECTIVE SURFACE			
OUTPUT SIGNAL	PA, NA, PB, NB, PZ, NZ (THREE CHANNEL) LINE DRIVER OUTPUT			
RESOLUTION	1,600 CPR	2,400 CPR	3,200 CPR	4,000 CPR
SUPPLY VOLTAGE	DC 5V ± 0.25 V			
SUPPLY CURRENT	25 mA REF.			
OUTPUT VOLTAGE	[H]:2.4V or more,[L]:0.4V or less			
WAVE FORM	RECTANGLE WAVE			
COUNT FREQUENCY	220 kHz MAX.			
STATE ERROR ΔS	$S = (C/4) \pm (C/8)$			
INDEX PULSE WIDTH Po	$(C/4) \leq P_o \leq (3C/4)$			
DUTY RATIO(A,B)	DUTY=(C/2) ± (C/4)			

OUTPUT WAVE FORM



General Specifications

Step Accuracy	_____	± 5%
Ambient Temperature Range	_____	0°C ~ +50°C
Insulation Resistance	_____	100M.Ω MIN.DC 500V
Dielectric Strength	_____	AC 500V 1min

Bipolar Wiring Connection Diagram

